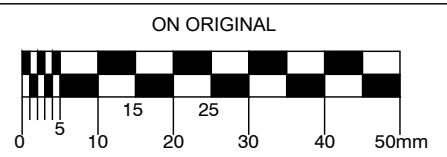
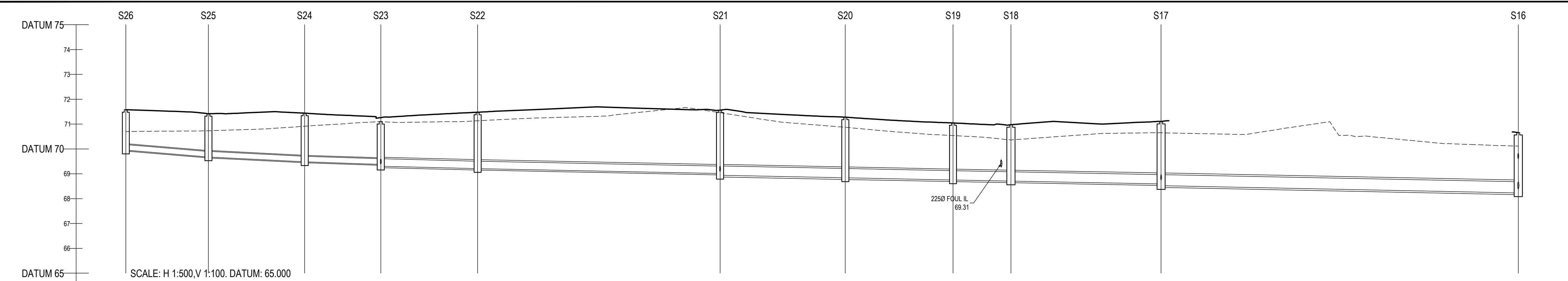


© COPYRIGHT OF THIS DRAWING IS RESERVED BY DBFL CONSULTING ENGINEERS. NO PART SHALL BE REPRODUCED OR TRANSMITTED WITHOUT THEIR WRITTEN PERMISSION.

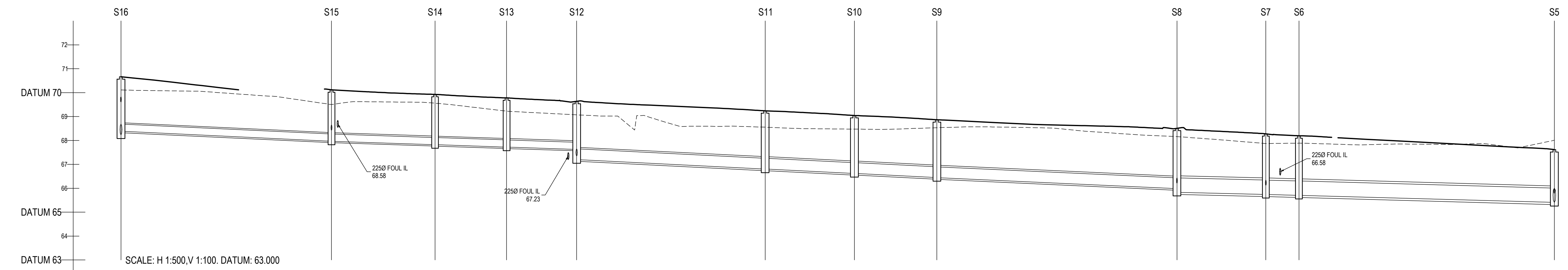


- NOTES:
- ALL DRAWINGS TO BE CHECKED BY CONTRACTOR ON SITE AND ENGINEER INFORMED OF DISCREPANCIES BEFORE WORK COMMENCES
  - ALL LEVELS ARE IN METRES AND ARE RELATED TO ORDNANCE DATUM
  - CONTRACTOR SHALL SATISFY HIMSELF AS TO THE ACCURACY OF PAVEMENT LEVELS ON SITE PRIOR TO COMMENCEMENT OF WORKS ON SITE
  - ALL WORKS TO BE CONSTRUCTED IN ACCORDANCE WITH THE NRA SPECIFICATION FOR ROAD WORKS UNLESS NOTED OTHERWISE
  - THIS DRAWING IS FOR PLANNING PURPOSES ONLY
  - MANHOLE COVER LEVELS ARE TO CONFORM WITH FINISHED ROAD AND PATH LEVELS
  - WHERE COVER TO PIPE IS LESS THAN 1200mm (ROAD/PATH/VERGE) OR 900mm (OPEN SPACE) SURROUND PIPE IN MINIMUM 150mm CONCRETE

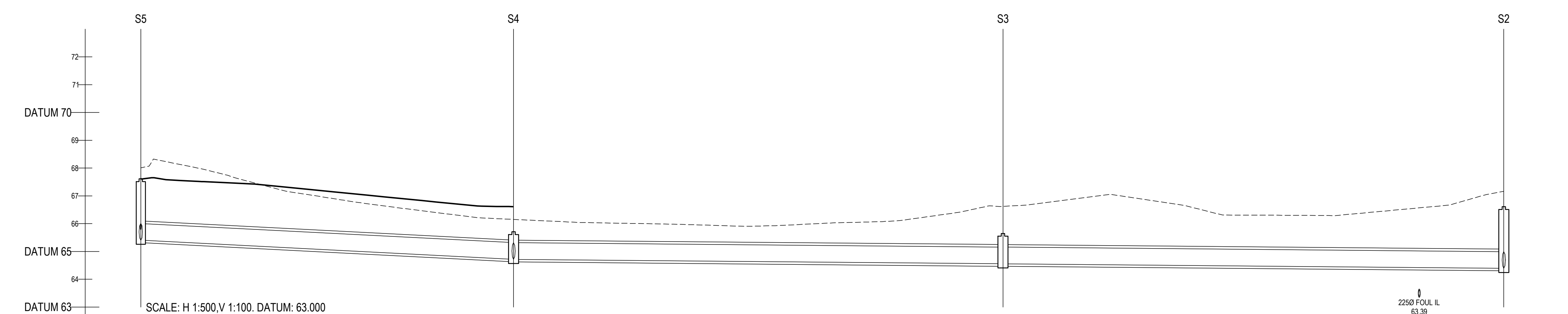
KEY  
 - - - - - EXISTING GROUND PROFILE  
 ———— PROPOSED GROUND PROFILE



COVER LEVEL	71.579	71.418	71.442	71.102	71.476	71.563	71.262	71.049	70.979	71.107	70.863
INVERT LEVEL	69.933	69.677	69.404	69.302	69.307	69.209	68.838	68.732	68.706	68.596	68.223
DEPTH (m)	1.626	1.741	1.938	1.796	1.903	2.267	2.444	2.297	2.273	2.566	2.430
DISTANCE (m)	16.62	19.36	15.31	19.46	48.79	25.19	21.68	11.65	30.20	71.87	
PIPE SLOPE	1:60	1:100	1:150	1:199	1:250	1:249	1:252	1:253	1:275	1:250	
PIPE SIZE	225mm	225mm	225mm	300mm	300mm	375mm	375mm	375mm	375mm	450mm	



COVER LEVEL	70.863	70.118	69.826	69.780	69.635	69.238	69.042	68.866	68.507	68.280	68.194	67.616
INVERT LEVEL	68.383	67.967	67.822	67.722	67.625	67.238	66.804	66.620	66.320	66.140	65.704	65.405
DEPTH (m)	2.480	2.151	2.106	2.068	2.038	2.424	2.422	2.421	2.674	2.240	2.490	2.210
DISTANCE (m)	44.05	21.67	14.97	14.66	39.44	18.68	17.26	50.23	18.60	6.93	53.45	
PIPE SLOPE	1:106	1:149	1:150	1:151	1:100	1:102	1:99	1:109	1:200	1:200	1:179	
PIPE SIZE	300mm	300mm	300mm	300mm	450mm	450mm	450mm	450mm	600mm	600mm	600mm	



COVER LEVEL	67.616	65.708	65.648	66.608
INVERT LEVEL	65.405	64.717	64.557	64.393
DEPTH (m)	2.210	0.991	1.091	2.215
DISTANCE (m)	67.00	87.99	90.03	
PIPE SLOPE	1:97	1:550	1:549	
PIPE SIZE	600mm	600mm	600mm	

B	14-09-21	FOR SHD APPLICATION	JVS	BK
A	16-07-21	REVISED LAYOUT	JVS	BK
REV	DATE	DESCRIPTION	BY	CHKD

PLANNING			
DESIGNED	EJD	PREPARED	JVS
DATE	AUG 2019	CHECKED	BK

DBFL Consulting Engineers  
 Dublin office Ormond House,  
 Upper Ormond Quay, Dublin 7, Ireland.  
 PHONE +353 1 400 4000  
 FAX +353 1 400 4050  
 Waterford office Unit 2, The Chandlery,  
 1-2 O'Connell Street, Waterford, Ireland.  
 PHONE +353 51 308 550  
 FAX +353 51 844 813  
 Email: info@dbfl.ie site: www.dbfl.ie

PROJECT  
**LANDS AT CLONMINCH,  
 TULLAMORE, CO OFFALY**

DRG. TITLE  
**LONGITUDINAL SECTIONS  
 THROUGH SURFACE  
 WATER SHEET 1**

CLIENT  
**STEINFORT INVESTMENTS  
 FUND**

SCALE	AS SHOWN @A1	FILE REF.	180002-3020
DRG. NO.	180002-3021		B